



DC Inverter  
Reversible

Airwell

# ZDAE Multisplit



ZDAE Duo/Trio/Quattro/ Cinco

Compatible  
WITH:

> High wall HDLE Aura  
22/25/35/50/70



> Console XDLF  
25/35/50



## + PRODUCT

- Flexy Match (high wall/console compatible)
- 6 models from 4 to 12 kW and up to 5 indoor units
- Electronic expansion valve

## FEATURES

### TECHNOLOGY



ELECTRONIC  
EXPANSION VALVE

### INSTALLER FUNCTIONS



AUTO-DIAGNOSTIC

## CERTIFICATION

- AIRWELL participates in the ECP programme for ACI. Check ongoing validity of certificate:

[www.eurovent-certification.com](http://www.eurovent-certification.com)



### + "SUSTAINABLE DEVELOPMENT"

> High energy label A++ (cooling mode) / A+ (heating mode).

### + "USER"

> Small footprint with a single outdoor unit.

### + "INSTALLER"

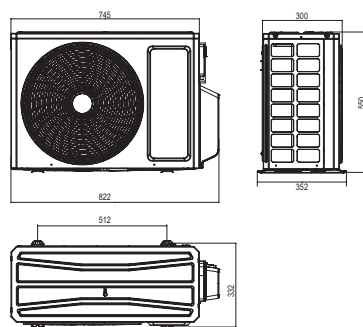
> The best reliability on the market.

### + "TECHNOLOGY"

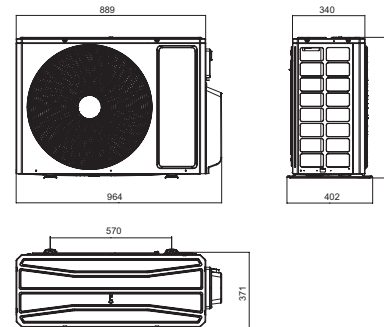
> Extended range: even more power combinations.  
> High resistance to "aggressive" environments (corrosion, voltage, high temperatures).

## TECHNICAL DRAWS (mm)

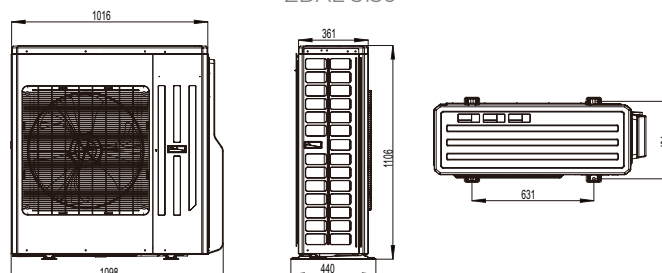
ZDAE 2040-2050



ZDAE 3060-3070-4080



ZDAE 5130



Available according to  
country, contact us.

## TECHNICAL DATA

| OUTDOOR UNIT |  | ZDAE-2040-09M25 | ZDAE-2050-09M25 | ZDAE-3060-09M25 | ZDAE-3070-09M25 | ZDAE-4080-09M25 | ZDAE-5130-09M25 |
|--------------|--|-----------------|-----------------|-----------------|-----------------|-----------------|-----------------|
| Part number  |  | 7SP091200       | 7SP091201       | 7SP091202       | 7SP091203       | 7SP091204       | 7SP091205       |
| Phase        |  | Single-phase    | Single-phase    | Single-phase    | Single-phase    | Single-phase    | Single-phase    |

### COOLING

| Rated power (min./max.) | kW | 4.10<br>(2.05-5.00) | 5.30<br>(2.14-5.80) | 6.10<br>(2.20-8.30) | 7.10<br>(2.30-9.20) | 8.00<br>(2.30-11.00) | 12.00<br>(2.60-13.00) |
|-------------------------|----|---------------------|---------------------|---------------------|---------------------|----------------------|-----------------------|
| Pdesignc                | kW | 4.10                | 5.30                | 6.10                | 7.10                | 8.00                 | 12.00                 |
| Rated power input       | kW | 1.10                | 1.48                | 1.48                | 1.88                | 2.12                 | 3.45                  |
| SEER/Energy label       |    | 6.3/A++             | 6.3/A++             | 6.6/A++             | 6.8/A++             | 6.7/A++              | 6.1/A++               |
| Operating limits        | °C | -15°/50° Dry bulb   |                     |                     |                     |                      |                       |

### HEATING

| Rated power (min./max.)             | kW | 4.40<br>(2.49-5.40) | 5.65<br>(2.58-6.50) | 6.50<br>(3.60-8.50) | 8.60<br>(3.65-9.20) | 9.50<br>(3.65-10.25) | 13.00<br>(2.60-14.50) |
|-------------------------------------|----|---------------------|---------------------|---------------------|---------------------|----------------------|-----------------------|
| Pdesignh (average climate)          | kW | 3.60                | 4.10                | 6.10                | 6.10                | 7.20                 | 11.80                 |
| Rated power input                   | kW | 0.97                | 1.25                | 1.41                | 2.23                | 2.20                 | 3.50                  |
| SCOP/Energy label (average climate) |    | 4.0/A+              | 4.0/A+              | 4.0/A+              | 4.0/A+              | 4.0/A+               | 4.0/A+                |
| Power at -7°C                       | kW | 3.21                | 4.69                | 5.33                | 6.36                | 6.65                 | 9.10                  |
| Power at -10°C                      | kW | 2.99                | 4.35                | 5.14                | 6.19                | 6.27                 | 8.58                  |
| Power at -15°C                      | kW | 2.68                | 3.84                | 4.75                | 5.76                | 5.80                 | 7.93                  |
| Operating limits                    | °C | -15°/24° Dry bulb   |                     |                     |                     |                      |                       |

### OUTDOOR UNIT

|                             |       |             |             |              |              |              |               |
|-----------------------------|-------|-------------|-------------|--------------|--------------|--------------|---------------|
| Sound pressure level at 1 m | dB(A) | 50          | 50          | 57           | 57           | 58           | 60            |
| Sound level                 | dB(A) | 62          | 64          | 68           | 68           | 68           | 70            |
| Airflow                     | m³/h  | 2300        | 2300        | 3800         | 3800         | 3800         | 5200          |
| Compressor type             |       | Rotary      | Rotary      | Rotary       | Rotary       | Rotary       | Rotary        |
| Outline dimensions (WxHxD)  | mm    | 745x550x300 | 745x550x300 | 889x654x340  | 889x654x340  | 889x654x340  | 1098x1106x440 |
| Package dimensions (WxHxD)  | mm    | 872x620x398 | 872x620x398 | 1032x737x456 | 1032x737x456 | 1032x737x456 | 1158x1235x493 |
| Net weight/Gross weight     | kg    | 30/33       | 32/35       | 48/52        | 48/52        | 51/56        | 90/98         |

### POWER SUPPLY

|                               |     |              |              |              |              |              |              |
|-------------------------------|-----|--------------|--------------|--------------|--------------|--------------|--------------|
| Phase/Voltage/Frequency       |     | 1P/230V/50Hz | 1P/230V/50Hz | 1P/230V/50Hz | 1P/230V/50Hz | 1P/230V/50Hz | 1P/230V/50Hz |
| Power supply side             |     | Outdoor      | Outdoor      | Outdoor      | Outdoor      | Outdoor      | Outdoor      |
| Power cable section           | mm² | 3G4          | 3G4          | 3G4          | 3G4          | 3G4          | 3G4          |
| Fuse rating am                | A   | 16           | 16           | 25           | 25           | 25           | 25           |
| Electrical connections in/out | mm² | 2 x (4G1.5)  | 2 x (4G1.5)  | 3x (4G1.5)   | 3x (4G1.5)   | 4 x (4G1.5)  | 5 x (4G1.5)  |

### PIPE LINE

|   |                                      |                |                |                |                |                |                |
|---|--------------------------------------|----------------|----------------|----------------|----------------|----------------|----------------|
| Suction pipe diameter                       | inches                               | 3/8"           | 3/8"           | 3/8"           | 3/8"           | 3/8"           | 3/8"           |
| Liquid pipe diameter                        | inches                               | 1/4"           | 1/4"           | 1/4"           | 1/4"           | 1/4"           | 1/4"           |
| Max. length                                 | m                                    | 40             | 40             | 60             | 60             | 70             | 75             |
| Max. length per circuit                     | m                                    | 20             | 20             | 20             | 20             | 20             | 25             |
| Max. height between indoor and outdoor unit | Outdoor unit higher than indoor unit | m              | 15             | 15             | 15             | 15             | 15             |
|   | Outdoor unit lower than indoor unit  | m              | 15             | 15             | 15             | 15             | 15             |
| Max. height between indoor units            | m                                    | 15             | 15             | 15             | 15             | 15             | 8              |
| <b>Refrigerant/GWP</b>                      |                                      | <b>R32/675</b> | <b>R32/675</b> | <b>R32/675</b> | <b>R32/675</b> | <b>R32/675</b> | <b>R32/675</b> |
| Charge                                      | kg                                   | 0.75           | 0.90           | 1.60           | 1.70           | 1.80           | 2.75           |
| Totale length charge                        | m                                    | 10             | 10             | 30             | 30             | 40             | 40             |
| Additional charge                           | g/m                                  | 20             | 20             | 20             | 20             | 20             | 20             |



High wall HDLE Aura  
22/25/35/50/70

| INDOOR UNIT                               |                   | HDLE-022N-09M25 | HDLE-025N-09M25 | HDLE-035N-09M25 | HDLE-050N-09M25 | HDLE-070N-09M25 |
|---|-------------------|-----------------|-----------------|-----------------|-----------------|-----------------|
| Part number                               |                   | 7SP023270       | 7SP023271       | 7SP023272       | 7SP023273       | 7SP023274       |
| Phase                                     |                   | Single-phase    | Single-phase    | Single-phase    | Single-phase    | Single-phase    |
| Cooling rated power                       | kW                | 2.20            | 2.70            | 3.20            | 4.60            | 6.20            |
| Heating rated power                       | kW                | 2.40            | 2.80            | 3.40            | 5.20            | 6.50            |
| Sound pressure level at 1 m (VL/LS/MS/HS) | dB (A)            | 22/33/36/39     | 21/34/38/41     | 21/34/38/41     | 27/38/42/44     | 26/37/45/48     |
| Sound level (VL/LS/MS/HS)                 | dB (A)            | 37/45/48/55     | 36/46/50/57     | 34/45/50/57     | 41/48/52/54     | 42/49/57/60     |
| Airflow (VL/LS/MS/HS)                     | m <sup>3</sup> /h | 290/420/470/500 | 280/400/520/550 | 280/410/480/590 | 550/700/800/850 | 400/600/800/900 |
| Dehumidification                          | l/h               | 0.60            | 1.40            | 1.40            | 1.80            | 1.80            |
| Outline dimensions (WxHxD)                | mm                | 713x270x195     | 790x275x200     | 790x275x200     | 970x300x224     | 970x300x224     |
| Package dimensions (WxHxD)                | mm                | 776x362x268     | 866x367x271     | 866x367x271     | 1041x383x320    | 1041x383x320    |
| Net weight/Gross weight                   | kg                | 8/9.5           | 9/11            | 9/11            | 13.5/16         | 13/15.5         |

#### PIPE LINE

|                       |        |      |      |      |      |      |
|-----------------------|--------|------|------|------|------|------|
| Suction pipe diameter | inches | 3/8" | 3/8" | 3/8" | 3/8" | 1/2" |
| Liquid pipe diameter  | inches | 1/4" | 1/4" | 1/4" | 1/4" | 1/4" |



Console XDLE  
25/35/50

| INDOOR UNIT                               |                   | XDLF-025N-09M25 | XDLF-035N-09M25 | XDLF-050N-09M25 |
|---|-------------------|-----------------|-----------------|-----------------|
| Part number                               |                   | 7SP071440       | 7SP071441       | 7SP071442       |
| Phase                                     |                   | Single-phase    | Single-phase    | Single-phase    |
| Cooling rated power                       | kW                | 2.70            | 3.50            | 5.20            |
| Heating rated power                       | kW                | 2.90            | 3.80            | 5.33            |
| Sound pressure level at 1 m (VL/LS/MS/HS) | dB(A)             | 23/26/33/39     | 25/29/38/44     | 32/37/43/47     |
| Sound level                               | dB(A)             | 34/38/45/50     | 35/39/48/54     | 42/47/53/57     |
| Airflow (VL/LS/MS/HS)                     | m <sup>3</sup> /h | 250/280/410/500 | 280/360/480/600 | 320/410/580/700 |
| Dehumidification                          | l/h               | 0.80            | 1.20            | 1.80            |
| Outline dimensions (WxHxD)                | mm                | 700x600x215     | 700x600x215     | 700x600x215     |
| Package dimensions (WxHxD)                | mm                | 788x685x295     | 788x685x295     | 788x685x295     |
| Net weight/Gross weight                   | kg                | 15.5/18.5       | 15.5/18.5       | 15.5/18.5       |

#### PIPE LINE

|                       |        |      |      |      |
|-----------------------|--------|------|------|------|
| Suction pipe diameter | inches | 3/8" | 3/8" | 1/2" |
| Liquid pipe diameter  | inches | 1/4" | 1/4" | 1/4" |

# ZDAE

## Combination capacities



Compatible  
WITH:

> High wall HDLE Aura  
22/25/35



> Console XDLF  
25/35



### ZDAE-2040 MULTISPLIT DUO

| Indoor unit combination | COOLING          |        |                  |       |      |                        |       |      |      |                       | HEATING          |        |                  |       |      |                        |       |      |      |                       |
|-------------------------|------------------|--------|------------------|-------|------|------------------------|-------|------|------|-----------------------|------------------|--------|------------------|-------|------|------------------------|-------|------|------|-----------------------|
|                         | Rated power (kW) |        | Total power (kW) |       |      | Total input power (kW) |       |      | EER  | SEER/<br>Energy label | Rated power (kW) |        | Total power (kW) |       |      | Total input power (kW) |       |      | COP  | SCOP/<br>Energy label |
|                         | Unit A           | Unit B | Min.             | Rated | Max. | Min.                   | Rated | Max. |      |                       | Unit A           | Unit B | Min.             | Rated | Max. | Min.                   | Rated | Max. |      |                       |
| 22+22                   | 2.05             | 2.05   | 2.05             | 4.10  | 5.00 | 0.40                   | 1.10  | 2.25 | 3.73 | 6.3/A++               | 2.20             | 2.20   | 2.50             | 4.40  | 5.40 | 0.60                   | 0.97  | 2.25 | 4.54 | 4.0/A+                |
| 22+25                   | 1.79             | 2.31   | 2.05             | 4.10  | 5.00 | 0.40                   | 1.10  | 2.25 | 3.73 | 6.3/A++               | 1.93             | 2.48   | 2.50             | 4.40  | 5.40 | 0.60                   | 0.96  | 2.25 | 4.60 | 4.0/A+                |
| 22+35                   | 1.51             | 2.59   | 2.05             | 4.10  | 5.00 | 0.40                   | 1.10  | 2.25 | 3.73 | 6.3/A++               | 1.62             | 2.78   | 2.50             | 4.40  | 5.40 | 0.60                   | 0.96  | 2.25 | 4.60 | 4.0/A+                |
| 25+25                   | 2.05             | 2.05   | 2.05             | 4.10  | 5.00 | 0.40                   | 1.10  | 2.25 | 3.73 | 6.3/A++               | 2.20             | 2.20   | 2.50             | 4.40  | 5.40 | 0.60                   | 0.96  | 2.25 | 4.60 | 4.0/A+                |
| 25+35                   | 1.76             | 2.34   | 2.05             | 4.10  | 5.00 | 0.40                   | 1.10  | 2.25 | 3.73 | 6.3/A++               | 1.89             | 2.51   | 2.50             | 4.40  | 5.40 | 0.60                   | 0.96  | 2.25 | 4.60 | 4.0/A+                |

Based on wall mounted combination

### ZDAE-2050 MULTISPLIT DUO

| Indoor unit combination | COOLING          |        |                  |       |      |                        |       |      |      |                       | HEATING          |        |                  |       |      |                        |       |      |      |                       |
|-------------------------|------------------|--------|------------------|-------|------|------------------------|-------|------|------|-----------------------|------------------|--------|------------------|-------|------|------------------------|-------|------|------|-----------------------|
|                         | Rated power (kW) |        | Total power (kW) |       |      | Total input power (kW) |       |      | EER  | SEER/<br>Energy label | Rated power (kW) |        | Total power (kW) |       |      | Total input power (kW) |       |      | COP  | SCOP/<br>Energy label |
|                         | Unit A           | Unit B | Min.             | Rated | Max. | Min.                   | Rated | Max. |      |                       | Unit A           | Unit B | Min.             | Rated | Max. | Min.                   | Rated | Max. |      |                       |
| 22+22                   | 2.10             | 2.10   | 2.15             | 4.20  | 4.80 | 0.40                   | 1.40  | 2.00 | 3.00 | 6.3/A++               | 2.60             | 2.60   | 2.05             | 5.20  | 5.62 | 0.50                   | 1.00  | 2.20 | 5.20 | 4.0/A+                |
| 22+25                   | 2.10             | 2.60   | 2.15             | 4.70  | 5.20 | 0.40                   | 1.44  | 2.00 | 3.26 | 6.3/A++               | 2.60             | 2.80   | 2.05             | 5.40  | 5.83 | 0.60                   | 1.10  | 2.20 | 4.91 | 4.0/A+                |
| 22+35                   | 2.10             | 3.10   | 2.15             | 5.20  | 5.80 | 0.40                   | 1.48  | 2.50 | 3.51 | 6.3/A++               | 1.99             | 3.41   | 2.50             | 5.40  | 5.90 | 0.70                   | 1.25  | 2.50 | 4.32 | 4.0/A+                |
| 25+25                   | 2.60             | 2.60   | 2.15             | 5.20  | 5.80 | 0.40                   | 1.48  | 2.50 | 3.58 | 6.3/A++               | 2.70             | 2.70   | 2.50             | 5.40  | 5.90 | 0.70                   | 1.25  | 2.50 | 4.32 | 4.0/A+                |
| 25+35                   | 2.23             | 2.97   | 2.15             | 5.20  | 5.80 | 0.50                   | 1.48  | 2.50 | 3.51 | 6.3/A++               | 2.31             | 3.09   | 2.50             | 5.40  | 5.90 | 0.70                   | 1.25  | 2.50 | 4.32 | 4.0/A+                |
| 35+35                   | 2.60             | 2.60   | 2.15             | 5.20  | 5.80 | 0.50                   | 1.48  | 2.50 | 3.51 | 6.3/A++               | 2.70             | 2.70   | 2.50             | 5.40  | 5.90 | 0.70                   | 1.25  | 2.50 | 4.32 | 4.0/A+                |

Based on wall mounted combination

# ZDAE

## Combination capacities



Compatible  
WITH:

> High wall HDLE Aura  
22/25/35/50

> Console XDLF  
25/35/50



### ZDAE-3060 MULTISPLIT TRIO

| Indoor unit combination | COOLING          |        |        |                  |       |      |                        |       |      |      |                       | HEATING          |        |        |                  |       |      |                        |       |      |      |                       |
|-------------------------|------------------|--------|--------|------------------|-------|------|------------------------|-------|------|------|-----------------------|------------------|--------|--------|------------------|-------|------|------------------------|-------|------|------|-----------------------|
|                         | Rated power (kW) |        |        | Total power (kW) |       |      | Total input power (kW) |       |      | EER  | SEER/<br>Energy label | Rated power (kW) |        |        | Total power (kW) |       |      | Total input power (kW) |       |      | COP  | SCOP/<br>Energy label |
|                         | Unit A           | Unit B | Unit C | Min.             | Rated | Max. | Min.                   | Rated | Max. |      |                       | Unit A           | Unit B | Unit C | Min.             | Rated | Max. | Min.                   | Rated | Max. |      |                       |
| 22+22                   | 2.10             | 2.10   | -      | 2.20             | 4.20  | 5.60 | 0.40                   | 0.90  | 2.00 | 4.67 | 6.1/A++               | 2.60             | 2.60   | -      | 3.60             | 5.20  | 8.50 | 0.40                   | 0.95  | 2.20 | 5.47 | 3.8/A                 |
| 22+25                   | 2.10             | 2.60   | -      | 2.20             | 4.70  | 5.60 | 0.40                   | 1.00  | 2.40 | 4.70 | 6.1/A++               | 2.60             | 2.80   | -      | 3.60             | 5.40  | 8.50 | 0.40                   | 1.09  | 2.20 | 4.95 | 3.8/A                 |
| 22+35                   | 2.10             | 3.50   | -      | 2.20             | 5.60  | 7.33 | 0.40                   | 1.20  | 2.60 | 4.67 | 6.1/A++               | 2.60             | 3.80   | -      | 3.60             | 6.40  | 8.50 | 0.60                   | 1.29  | 2.50 | 4.96 | 3.8/A                 |
| 22+50                   | 1.71             | 4.39   | -      | 2.20             | 6.10  | 7.33 | 0.50                   | 1.48  | 2.90 | 4.12 | 6.1/A++               | 1.82             | 4.68   | -      | 3.60             | 6.50  | 8.50 | 0.80                   | 1.41  | 2.90 | 4.60 | 3.8/A                 |
| 25+25                   | 2.55             | 2.55   | -      | 2.20             | 5.10  | 5.60 | 0.40                   | 1.20  | 2.60 | 4.25 | 6.1/A++               | 2.80             | 2.80   | -      | 3.60             | 5.60  | 8.50 | 0.60                   | 1.22  | 2.50 | 4.60 | 3.8/A                 |
| 25+35                   | 2.61             | 3.49   | -      | 2.20             | 6.10  | 7.33 | 0.50                   | 1.48  | 2.90 | 4.12 | 6.1/A++               | 2.70             | 3.80   | -      | 3.60             | 6.50  | 8.50 | 0.80                   | 1.41  | 2.90 | 4.60 | 3.8/A                 |
| 25+50                   | 2.03             | 4.07   | -      | 2.20             | 6.10  | 7.33 | 0.60                   | 1.48  | 2.90 | 4.12 | 6.1/A++               | 2.17             | 4.33   | -      | 3.60             | 6.50  | 8.50 | 0.80                   | 1.41  | 2.90 | 4.60 | 3.8/A                 |
| 35+35                   | 3.05             | 3.05   | -      | 2.20             | 6.10  | 7.33 | 0.60                   | 1.48  | 2.90 | 4.12 | 6.1/A++               | 3.25             | 3.25   | -      | 3.60             | 6.50  | 8.50 | 0.80                   | 1.41  | 2.90 | 4.60 | 3.8/A                 |
| 35+50                   | 2.44             | 3.66   | -      | 2.20             | 6.10  | 7.33 | 0.60                   | 1.48  | 2.90 | 4.12 | 6.1/A++               | 2.60             | 3.90   | -      | 3.60             | 6.50  | 8.50 | 0.80                   | 1.41  | 2.90 | 4.60 | 3.8/A                 |
| 22+22+22                | 2.03             | 2.03   | 2.03   | 2.20             | 6.10  | 7.33 | 0.60                   | 1.48  | 2.90 | 4.12 | 6.6/A++               | 2.17             | 2.17   | 2.17   | 3.60             | 6.50  | 8.50 | 0.80                   | 1.41  | 2.90 | 4.60 | 3.8/A                 |
| 22+22+25                | 1.86             | 1.86   | 2.39   | 2.20             | 6.10  | 7.33 | 0.60                   | 1.48  | 2.90 | 4.12 | 6.6/A++               | 1.98             | 1.98   | 2.54   | 3.60             | 6.50  | 8.50 | 0.80                   | 1.41  | 2.90 | 4.60 | 3.8/A                 |
| 22+22+35                | 1.64             | 1.64   | 2.82   | 2.20             | 6.10  | 7.33 | 0.60                   | 1.48  | 2.90 | 4.12 | 6.6/A++               | 1.75             | 1.75   | 3.00   | 3.60             | 6.50  | 8.50 | 0.80                   | 1.41  | 2.90 | 4.60 | 3.8/A                 |
| 22+25+25                | 1.71             | 2.20   | 2.20   | 2.20             | 6.10  | 7.33 | 0.60                   | 1.48  | 2.90 | 4.12 | 6.6/A++               | 1.82             | 2.34   | 2.34   | 3.60             | 6.50  | 8.50 | 0.80                   | 1.41  | 2.90 | 4.60 | 3.8/A                 |
| 22+25+35                | 1.53             | 1.96   | 2.61   | 2.20             | 6.10  | 7.33 | 0.60                   | 1.48  | 2.90 | 4.12 | 6.6/A++               | 1.63             | 2.09   | 2.79   | 3.60             | 6.50  | 8.50 | 0.80                   | 1.41  | 2.90 | 4.60 | 3.8/A                 |
| 22+35+35                | 1.38             | 2.36   | 2.36   | 2.20             | 6.10  | 7.33 | 0.60                   | 1.48  | 2.90 | 4.12 | 6.6/A++               | 1.47             | 2.52   | 2.52   | 3.60             | 6.50  | 8.50 | 0.80                   | 1.41  | 2.90 | 4.60 | 3.8/A                 |
| 25+25+25                | 2.03             | 2.03   | 2.03   | 2.20             | 6.10  | 7.33 | 0.60                   | 1.48  | 2.90 | 4.12 | 6.6/A++               | 2.17             | 2.17   | 2.17   | 3.60             | 6.50  | 8.50 | 0.80                   | 1.41  | 2.90 | 4.60 | 3.8/A                 |
| 25+25+35                | 1.83             | 1.83   | 2.44   | 2.20             | 6.10  | 7.33 | 0.60                   | 1.48  | 2.90 | 4.12 | 6.6/A++               | 1.95             | 1.95   | 2.60   | 3.60             | 6.50  | 8.50 | 0.80                   | 1.41  | 2.90 | 4.60 | 3.8/A                 |

Based on wall mounted combination

### ZDAE-3070 MULTISPLIT TRIO

| Indoor unit combination | COOLING          |        |        |                  |       |      |                        |       |      |      |                       | HEATING          |        |        |                  |       |      |                        |       |      |      |                       |
|-------------------------|------------------|--------|--------|------------------|-------|------|------------------------|-------|------|------|-----------------------|------------------|--------|--------|------------------|-------|------|------------------------|-------|------|------|-----------------------|
|                         | Rated power (kW) |        |        | Total power (kW) |       |      | Total input power (kW) |       |      | EER  | SEER/<br>Energy label | Rated power (kW) |        |        | Total power (kW) |       |      | Total input power (kW) |       |      | COP  | SCOP/<br>Energy label |
|                         | Unit A           | Unit B | Unit C | Min.             | Rated | Max. | Min.                   | Rated | Max. |      |                       | Unit A           | Unit B | Unit C | Min.             | Rated | Max. | Min.                   | Rated | Max. |      |                       |
| 22+22                   | 2.10             | 2.10   | -      | 2.40             | 4.20  | 4.90 | 0.60                   | 1.10  | 2.60 | 3.82 | 6.1/A++               | 2.60             | 2.60   | -      | 3.60             | 5.20  | 8.80 | 0.60                   | 1.30  | 2.00 | 4.00 | 3.8/A                 |
| 22+25                   | 2.10             | 2.60   | -      | 2.40             | 4.70  | 5.20 | 0.60                   | 1.25  | 2.80 | 3.76 | 6.1/A++               | 2.60             | 2.80   | -      | 3.60             | 5.40  | 8.80 | 0.60                   | 1.49  | 2.00 | 3.62 | 3.8/A                 |
| 22+35                   | 2.10             | 3.50   | -      | 2.40             | 5.60  | 6.30 | 0.80                   | 1.50  | 3.00 | 3.73 | 6.1/A++               | 2.60             | 3.80   | -      | 3.60             | 6.40  | 8.80 | 0.60                   | 1.77  | 2.40 | 3.62 | 3.8/A                 |
| 22+50                   | 1.99             | 5.11   | -      | 2.40             | 7.10  | 8.50 | 1.00                   | 1.88  | 3.40 | 3.78 | 6.1/A++               | 2.60             | 5.60   | -      | 3.60             | 8.20  | 8.80 | 0.80                   | 2.23  | 3.00 | 3.68 | 3.8/A                 |
| 25+25                   | 2.60             | 2.60   | -      | 2.40             | 5.20  | 6.30 | 0.80                   | 1.40  | 3.00 | 3.71 | 6.1/A++               | 2.60             | 2.60   | -      | 3.60             | 5.20  | 8.80 | 0.60                   | 1.67  | 2.40 | 3.11 | 3.8/A                 |
| 25+35                   | 2.60             | 3.50   | -      | 2.40             | 6.10  | 7.30 | 1.00                   | 1.65  | 3.20 | 3.70 | 6.1/A++               | 2.60             | 3.80   | -      | 3.60             | 6.40  | 8.80 | 0.60                   | 1.95  | 2.60 | 3.28 | 3.8/A                 |
| 25+50                   | 2.37             | 4.73   | -      | 2.40             | 7.10  | 8.50 | 1.10                   | 1.88  | 3.40 | 3.78 | 6.1/A++               | 2.80             | 5.60   | -      | 3.60             | 8.40  | 8.80 | 0.80                   | 2.23  | 3.00 | 3.77 | 3.8/A                 |
| 35+35                   | 3.55             | 3.55   | -      | 2.40             | 7.10  | 8.50 | 1.10                   | 1.88  | 3.40 | 3.78 | 6.1/A++               | 4.25             | 4.25   | -      | 3.60             | 8.50  | 8.80 | 0.80                   | 2.23  | 3.00 | 3.81 | 3.8/A                 |
| 35+50                   | 2.84             | 4.26   | -      | 2.40             | 7.10  | 8.50 | 1.10                   | 1.88  | 3.40 | 3.78 | 6.1/A++               | 3.40             | 5.10   | -      | 3.60             | 8.50  | 8.80 | 0.80                   | 2.23  | 3.00 | 3.81 | 3.8/A                 |
| 50+50                   | 3.55             | 3.55   | -      | 2.40             | 7.10  | 8.50 | 1.10                   | 1.88  | 3.40 | 3.78 | 6.1/A++               | 4.25             | 4.25   | -      | 3.60             | 8.50  | 8.80 | 0.80                   | 2.23  | 3.00 | 3.81 | 3.8/A                 |
| 22+22+22                | 2.10             | 2.10   | 2.10   | 2.40             | 6.30  | 7.30 | 1.10                   | 1.65  | 3.20 | 3.82 | 6.8/A++               | 2.60             | 2.60   | 2.60   | 3.60             | 7.80  | 8.80 | 0.80                   | 1.95  | 2.60 | 4.00 | 3.8/A                 |
| 22+22+25                | 2.10             | 2.10   | 2.60   | 2.40             | 6.80  | 8.50 | 1.10                   | 1.80  | 3.40 | 3.78 | 6.8/A++               | 2.60             | 2.60   | 2.80   | 3.60             | 8.00  | 8.80 | 0.80                   | 2.14  | 2.80 | 3.74 | 3.8/A                 |
| 22+22+35                | 1.91             | 1.91   | 3.28   | 2.40             | 7.10  | 8.50 | 1.10                   | 1.88  | 3.40 | 3.78 | 6.8/A++               | 2.29             | 2.29   | 3.92   | 3.60             | 8.50  | 8.80 | 0.80                   | 2.23  | 3.00 | 3.81 | 3.8/A                 |
| 22+22+50                | 1.55             | 1.55   | 3.99   | 2.40             | 7.10  | 8.50 | 1.10                   | 1.88  | 3.40 | 3.78 | 6.8/A++               | 1.86             | 1.86   | 4.78   | 3.60             | 8.50  | 8.80 | 0.80                   | 2.23  | 3.00 | 3.81 | 3.8/A                 |
| 22+25+25                | 1.99             | 2.56   | 2.56   | 2.40             | 7.10  | 8.50 | 1.10                   | 1.88  | 3.40 | 3.78 | 6.8/A++               | 2.38             | 3.06   | 3.06   | 3.60             | 8.50  | 8.80 | 0.80                   | 2.23  | 3.00 | 3.81 | 3.8/A                 |
| 22+25+35                | 1.78             | 2.28   | 3.04   | 2.40             | 7.10  | 8.50 | 1.10                   | 1.88  | 3.40 | 3.78 | 6.8/A++               | 2.13             | 2.73   | 3.64   | 3.60             | 8.50  | 8.80 | 0.80                   | 2.23  | 3.00 | 3.81 | 3.8/A                 |
| 22+25+50                | 1.46             | 1.88   | 3.76   | 2.40             | 7.10  | 8.50 | 1.10                   | 1.88  | 3.40 | 3.78 | 6.8/A++               | 1.75             | 2.25   | 4.50   | 3.60             | 8.50  | 8.80 | 0.80                   | 2.23  | 3.00 | 3.81 | 3.8/A                 |
| 22+35+35                | 1.60             | 2.75   | 2.75   | 2.40             | 7.10  | 8.50 | 1.10                   | 1.88  | 3.40 | 3.78 | 6.8/A++               | 1.92             | 3.29   | 3.29   | 3.60             | 8.50  | 8.80 | 0.80                   | 2.23  | 3.00 | 3.81 | 3.8/A                 |
| 25+25+25                | 2.37             | 2.37   | 2.37   | 2.40             | 7.10  | 8.50 | 1.10                   | 1.88  | 3.40 | 3.78 | 6.8/A++               | 2.83             | 2.83   | 2.83   | 3.60             | 8.50  | 8.80 | 0.80                   | 2.23  | 3.00 | 3.81 | 3.8/A                 |
| 25+25+35                | 2.13             | 2.13   | 2.84   | 2.40             | 7.10  | 8.50 | 1.10                   | 1.88  | 3.40 | 3.78 | 6.8/A++               | 2.55             | 2.55   | 3.40   | 3.60             | 8.50  | 8.80 | 0.80                   | 2.23  | 3.00 | 3.81 | 3.8/A                 |
| 25+25+50                | 1.78             | 1.78   | 3.55   | 2.40             | 7.10  | 8.50 | 1.10                   | 1.88  | 3.40 | 3.78 | 6.8/A++               | 2.13             | 2.13   | 4.25   | 3.60             | 8.50  | 8.80 | 0.80                   | 2.23  | 3.00 | 3.81 | 3.8/A                 |
| 25+35+35                | 1.94             | 2.58   | 2.58   | 2.40             | 7.10  | 8.50 | 1.10                   | 1.88  | 3.40 | 3.78 | 6.8/A++               | 2.32             | 3.09   | 3.09   | 3.60             | 8.50  | 8.80 | 0.80                   | 2.23  | 3.00 | 3.81 | 3.8/A                 |
| 35+35+35                | 2.37             | 2.37   | 2.37   | 2.40             | 7.10  | 8.50 | 1.10                   | 1.88  | 3.40 | 3.78 | 6.8/A++               | 2.83             | 2.83   | 2.83   | 3.60             | 8.50  | 8.80 | 0.80                   | 2.23  | 3.00 | 3.81 | 3.8/A                 |

Based on wall mounted combination

Optimum combinations

# ZDAE

## Combination capacities



Compatible  
WITH:

> High wall HDLE Aura  
22/25/35/50



> Console XDLF  
25/35/50



### ZDAE-4080 MULTISPLIT QUATTRO

| Indoor unit combination | COOLING          |        |        |        |                  |       |       |                        |       |      |        | HEATING |                       |                  |        |        |      |                  |       |      |                        |      |      |       |     |                       |
|-------------------------|------------------|--------|--------|--------|------------------|-------|-------|------------------------|-------|------|--------|---------|-----------------------|------------------|--------|--------|------|------------------|-------|------|------------------------|------|------|-------|-----|-----------------------|
|                         | Rated power (kW) |        |        |        | Total power (kW) |       |       | Total input power (kW) |       |      |        | EER     | SEER/<br>Energy label | Rated power (kW) |        |        |      | Total power (kW) |       |      | Total input power (kW) |      |      |       | COP | SCOP/<br>Energy label |
|                         | Unit A           | Unit B | Unit C | Unit D | Min.             | Rated | Max.  | Min.                   | Rated | Max. | Unit A |         |                       | Unit B           | Unit C | Unit D | Min. | Rated            | Max.  | Min. | Rated                  | Max. |      |       |     |                       |
| 22+22                   | 2.10             | 2.10   | -      | -      | 2.50             | 4.20  | 4.54  | 0.80                   | 1.10  | 2.40 | 3.82   | 6.1/A++ | 2.60                  | 2.60             | -      | -      | 3.60 | 5.20             | 10.00 | 0.70 | 1.10                   | 2.50 | 4.73 | 3.8/A |     |                       |
| 22+25                   | 2.10             | 2.60   | -      | -      | 2.50             | 4.70  | 5.08  | 0.80                   | 1.20  | 2.60 | 3.92   | 6.1/A++ | 2.60                  | 2.80             | -      | -      | 3.60 | 5.40             | 10.00 | 0.70 | 1.26                   | 2.50 | 4.29 | 3.8/A |     |                       |
| 22+35                   | 2.10             | 3.50   | -      | -      | 2.50             | 5.60  | 6.05  | 0.80                   | 1.44  | 2.60 | 3.89   | 6.1/A++ | 2.60                  | 3.80             | -      | -      | 3.60 | 6.40             | 10.00 | 0.70 | 1.49                   | 2.50 | 4.30 | 3.8/A |     |                       |
| 22+50                   | 2.10             | 5.00   | -      | -      | 2.50             | 7.10  | 7.67  | 1.00                   | 1.90  | 3.00 | 3.74   | 6.1/A++ | 2.60                  | 5.60             | -      | -      | 3.60 | 8.20             | 10.00 | 0.90 | 1.96                   | 3.00 | 4.18 | 3.8/A |     |                       |
| 25+25                   | 2.60             | 2.60   | -      | -      | 2.50             | 5.20  | 5.62  | 0.80                   | 1.40  | 2.60 | 3.71   | 6.1/A++ | 2.80                  | 2.80             | -      | -      | 3.60 | 5.60             | 10.00 | 0.70 | 1.41                   | 2.50 | 3.97 | 3.8/A |     |                       |
| 25+35                   | 2.60             | 3.50   | -      | -      | 2.50             | 6.10  | 6.59  | 0.80                   | 1.60  | 2.80 | 3.81   | 6.1/A++ | 2.80                  | 5.43             | -      | -      | 3.60 | 8.23             | 10.00 | 0.70 | 1.65                   | 2.60 | 4.99 | 3.8/A |     |                       |
| 25+50                   | 2.60             | 5.00   | -      | -      | 2.50             | 7.60  | 8.21  | 1.20                   | 2.00  | 2.80 | 3.80   | 6.1/A++ | 2.80                  | 3.80             | -      | -      | 3.60 | 6.60             | 10.00 | 1.00 | 2.12                   | 3.40 | 3.11 | 3.8/A |     |                       |
| 35+35                   | 3.50             | 3.50   | -      | -      | 2.50             | 7.00  | 7.56  | 1.20                   | 1.80  | 2.80 | 3.89   | 6.1/A++ | 3.80                  | 3.80             | -      | -      | 3.60 | 7.60             | 10.00 | 0.90 | 1.89                   | 2.80 | 4.02 | 3.8/A |     |                       |
| 35+50                   | 3.20             | 4.80   | -      | -      | 2.50             | 8.00  | 10.00 | 1.20                   | 2.12  | 3.40 | 3.77   | 6.1/A++ | 3.80                  | 5.60             | -      | -      | 3.60 | 9.40             | 10.00 | 1.00 | 2.20                   | 3.60 | 4.27 | 3.8/A |     |                       |
| 50+50                   | 4.00             | 4.00   | -      | -      | 2.50             | 8.00  | 10.00 | 1.20                   | 2.12  | 3.60 | 3.77   | 6.1/A++ | 4.75                  | 4.75             | -      | -      | 3.60 | 9.50             | 10.00 | 1.00 | 2.20                   | 3.60 | 4.32 | 3.8/A |     |                       |
| 22+22+22                | 2.10             | 2.10   | 2.10   | -      | 2.50             | 6.30  | 6.80  | 1.20                   | 1.60  | 2.80 | 3.94   | 6.1/A++ | 2.60                  | 2.60             | 2.60   | -      | 3.60 | 7.80             | 10.00 | 0.70 | 1.65                   | 2.60 | 4.73 | 3.8/A |     |                       |
| 22+22+25                | 2.10             | 2.10   | 2.60   | -      | 2.50             | 6.80  | 7.34  | 1.20                   | 1.75  | 2.80 | 3.89   | 6.1/A++ | 2.60                  | 2.60             | 2.80   | -      | 3.60 | 8.00             | 10.00 | 0.90 | 1.81                   | 2.80 | 4.42 | 3.8/A |     |                       |
| 22+22+35                | 2.10             | 2.10   | 3.50   | -      | 2.50             | 7.70  | 8.32  | 1.20                   | 2.00  | 3.00 | 3.85   | 6.1/A++ | 2.60                  | 2.60             | 3.80   | -      | 3.60 | 9.00             | 10.00 | 0.90 | 2.04                   | 3.00 | 4.41 | 3.8/A |     |                       |
| 22+22+50                | 1.75             | 1.75   | 4.50   | -      | 2.50             | 8.00  | 10.00 | 1.30                   | 2.12  | 3.60 | 3.77   | 6.1/A++ | 2.08                  | 2.08             | 5.34   | -      | 3.60 | 9.50             | 10.00 | 1.00 | 2.20                   | 3.60 | 4.32 | 3.8/A |     |                       |
| 22+25+25                | 2.10             | 2.88   | 2.88   | -      | 2.50             | 7.86  | 8.49  | 1.30                   | 1.90  | 3.00 | 4.14   | 6.1/A++ | 2.60                  | 2.80             | 2.80   | -      | 3.60 | 8.20             | 10.00 | 0.90 | 1.96                   | 3.00 | 4.18 | 3.8/A |     |                       |
| 22+25+35                | 2.00             | 2.57   | 3.43   | -      | 2.50             | 8.00  | 10.00 | 1.30                   | 2.12  | 3.60 | 3.77   | 6.1/A++ | 2.60                  | 2.80             | 4.00   | -      | 3.60 | 9.40             | 10.00 | 1.00 | 2.20                   | 3.60 | 4.27 | 3.8/A |     |                       |
| 22+25+50                | 1.65             | 2.12   | 4.24   | -      | 2.50             | 8.00  | 10.00 | 1.30                   | 2.12  | 3.60 | 3.77   | 6.1/A++ | 1.96                  | 2.51             | 5.03   | -      | 3.60 | 9.50             | 10.00 | 1.00 | 2.20                   | 3.60 | 4.32 | 3.8/A |     |                       |
| 22+35+35                | 1.81             | 3.10   | 3.10   | -      | 2.50             | 8.00  | 10.00 | 1.30                   | 2.12  | 3.60 | 3.77   | 6.1/A++ | 2.50                  | 3.50             | 3.50   | -      | 3.60 | 9.50             | 10.00 | 1.00 | 2.20                   | 3.60 | 4.32 | 3.8/A |     |                       |
| 22+35+50                | 1.51             | 2.59   | 3.89   | -      | 2.50             | 8.00  | 10.00 | 1.30                   | 2.12  | 3.60 | 3.77   | 6.1/A++ | 1.80                  | 3.08             | 4.62   | -      | 3.60 | 9.50             | 10.00 | 1.00 | 2.20                   | 3.60 | 4.32 | 3.8/A |     |                       |
| 25+25+25                | 2.67             | 2.67   | 2.67   | -      | 2.50             | 8.00  | 8.64  | 1.30                   | 2.00  | 3.40 | 4.00   | 6.1/A++ | 3.17                  | 3.17             | 3.17   | -      | 3.60 | 9.50             | 10.00 | 1.00 | 2.12                   | 3.40 | 4.48 | 3.8/A |     |                       |
| 25+25+35                | 2.40             | 2.40   | 3.20   | -      | 2.50             | 8.00  | 10.00 | 1.30                   | 2.12  | 3.60 | 3.77   | 6.1/A++ | 2.85                  | 2.85             | 3.80   | -      | 3.60 | 9.50             | 10.00 | 1.00 | 2.20                   | 3.60 | 4.32 | 3.8/A |     |                       |
| 25+25+50                | 2.00             | 2.00   | 4.00   | -      | 2.50             | 8.00  | 10.00 | 1.30                   | 2.12  | 3.60 | 3.77   | 6.1/A++ | 2.38                  | 2.38             | 4.75   | -      | 3.60 | 9.50             | 10.00 | 1.00 | 2.20                   | 3.60 | 4.32 | 3.8/A |     |                       |
| 25+35+35                | 2.18             | 2.91   | 2.91   | -      | 2.50             | 8.00  | 10.00 | 1.30                   | 2.12  | 3.60 | 3.77   | 6.1/A++ | 2.59                  | 3.45             | 3.45   | -      | 3.60 | 9.50             | 10.00 | 1.00 | 2.20                   | 3.60 | 4.32 | 3.8/A |     |                       |
| 25+35+50                | 1.85             | 2.46   | 3.69   | -      | 2.50             | 8.00  | 10.00 | 1.30                   | 2.12  | 3.60 | 3.77   | 6.1/A++ | 2.19                  | 2.92             | 4.38   | -      | 3.60 | 9.50             | 10.00 | 1.00 | 2.20                   | 3.60 | 4.32 | 3.8/A |     |                       |
| 35+35+35                | 2.67             | 2.67   | 2.67   | -      | 2.50             | 8.00  | 10.00 | 1.30                   | 2.12  | 3.60 | 3.77   | 6.1/A++ | 3.17                  | 3.17             | 3.17   | -      | 3.60 | 9.50             | 10.00 | 1.00 | 2.20                   | 3.60 | 4.32 | 3.8/A |     |                       |
| 35+35+50                | 2.29             | 2.29   | 3.43   | -      | 2.50             | 8.00  | 10.00 | 1.30                   | 2.12  | 3.60 | 3.77   | 6.1/A++ | 2.71                  | 2.71             | 4.07   | -      | 3.60 | 9.50             | 10.00 | 1.00 | 2.20                   | 3.60 | 4.32 | 3.8/A |     |                       |
| 22+22+22+22             | 2.00             | 2.00   | 2.00   | 2.00   | 2.50             | 8.00  | 10.00 | 1.30                   | 2.12  | 3.60 | 3.77   | 6.7/A++ | 2.38                  | 2.38             | 2.38   | 2.38   | 3.60 | 9.50             | 10.00 | 1.00 | 2.20                   | 3.60 | 4.32 | 3.8/A |     |                       |
| 22+22+22+25             | 1.87             | 1.87   | 1.87   | 2.40   | 2.50             | 8.00  | 10.00 | 1.30                   | 2.12  | 3.60 | 3.77   | 6.7/A++ | 2.22                  | 2.22             | 2.22   | 2.85   | 3.60 | 9.50             | 10.00 | 1.00 | 2.20                   | 3.60 | 4.32 | 3.8/A |     |                       |
| 22+22+22+35             | 1.70             | 1.70   | 1.70   | 2.91   | 2.50             | 8.00  | 10.00 | 1.30                   | 2.12  | 3.60 | 3.77   | 6.7/A++ | 2.02                  | 2.02             | 2.02   | 3.45   | 3.60 | 9.50             | 10.00 | 1.00 | 2.20                   | 3.60 | 4.32 | 3.8/A |     |                       |
| 22+22+22+50             | 1.44             | 1.44   | 1.44   | 3.69   | 2.50             | 8.00  | 10.00 | 1.30                   | 2.12  | 3.60 | 3.77   | 6.7/A++ | 1.71                  | 1.71             | 1.71   | 4.38   | 3.60 | 9.50             | 10.00 | 1.00 | 2.20                   | 3.60 | 4.32 | 3.8/A |     |                       |
| 22+22+25+25             | 1.75             | 1.75   | 2.25   | 2.25   | 2.50             | 8.00  | 10.00 | 1.30                   | 2.12  | 3.60 | 3.77   | 6.7/A++ | 2.08                  | 2.08             | 2.67   | 2.67   | 3.60 | 9.50             | 10.00 | 1.00 | 2.20                   | 3.60 | 4.32 | 3.8/A |     |                       |
| 22+22+25+35             | 1.60             | 1.60   | 2.06   | 2.74   | 2.50             | 8.00  | 10.00 | 1.30                   | 2.12  | 3.60 | 3.77   | 6.7/A++ | 1.90                  | 1.90             | 2.44   | 3.26   | 3.60 | 9.50             | 10.00 | 1.00 | 2.20                   | 3.60 | 4.32 | 3.8/A |     |                       |
| 22+22+25+50             | 1.37             | 1.37   | 1.76   | 3.51   | 2.50             | 8.00  | 10.00 | 1.30                   | 2.12  | 3.60 | 3.77   | 6.7/A++ | 1.62                  | 1.62             | 2.09   | 4.17   | 3.60 | 9.50             | 10.00 | 1.00 | 2.20                   | 3.60 | 4.32 | 3.8/A |     |                       |
| 22+22+35+35             | 1.47             | 1.47   | 2.53   | 2.53   | 2.50             | 8.00  | 10.00 | 1.30                   | 2.12  | 3.60 | 3.77   | 6.7/A++ | 1.75                  | 1.75             | 3.00   | 3.00   | 3.60 | 9.50             | 10.00 | 1.00 | 2.20                   | 3.60 | 4.32 | 3.8/A |     |                       |
| 22+25+25+25             | 1.65             | 2.12   | 2.12   | 2.12   | 2.50             | 8.00  | 10.00 | 1.30                   | 2.12  | 3.60 | 3.77   | 6.7/A++ | 1.96                  | 2.51             | 2.51   | 2.51   | 3.60 | 9.50             | 10.00 | 1.00 | 2.20                   | 3.60 | 4.32 | 3.8/A |     |                       |
| 22+25+25+35             | 1.51             | 1.95   | 1.95   | 2.59   | 2.50             | 8.00  | 10.00 | 1.30                   | 2.12  | 3.60 | 3.77   | 6.7/A++ | 1.80                  | 2.31             | 2.31   | 3.08   | 3.60 | 9.50             | 10.00 | 1.00 | 2.20                   | 3.60 | 4.32 | 3.8/A |     |                       |
| 22+25+25+50             | 1.40             | 1.80   | 2.40   | 2.40   | 2.50             | 8.00  | 10.00 | 1.30                   | 2.12  | 3.60 | 3.77   | 6.7/A++ | 1.66                  | 2.14             | 2.85   | 2.85   | 3.60 | 9.50             | 10.00 | 1.00 | 2.20                   | 3.60 | 4.32 | 3.8/A |     |                       |
| 25+25+25+25             | 2.00             | 2.00   | 2.00   | 2.00   | 2.50             | 8.00  | 10.00 | 1.30                   | 2.12  | 3.60 | 3.77   | 6.7/A++ | 2.38                  | 2.38             | 2.38   | 2.38   | 3.60 | 9.50             | 10.00 | 1.00 | 2.20                   | 3.60 | 4.32 | 3.8/A |     |                       |
| 25+25+25+35             | 1.85             | 1.85   | 1.85   | 2.46   | 2.50             | 8.00  | 10.00 | 1.30                   | 2.12  | 3.60 | 3.77   | 6.7/A++ | 2.19                  | 2.19             | 2.19   | 2.92   | 3.60 | 9.50             | 10.00 | 1.00 | 2.20                   | 3.60 | 4.32 | 3.8/A |     |                       |
| 25+25+25+50             | 1.71             | 1.71   | 2.29   | 2.29   | 2.50             | 8.00  | 10.00 | 1.30                   | 2.12  | 3.60 | 3.77   | 6.7/A++ | 2.04                  | 2.04             | 2.71   | 2.71   | 3.60 | 9.50             | 10.00 | 1.00 | 2.20                   | 3.60 | 4.32 | 3.8/A |     |                       |

Based on wall mounted combination



